



WEIGHT CHANGES

	Change in Operating Weight		Change in Tipping Load				Width Over Tire		Ground Clearance		Change in Vertical Dimensions		Change in Reach	
	10 kg	22 lb	10 kg	22 lb	5 kg	11 lb	2180 mm	7'2"	390 mm	1'3"	-10 mm	-0.4"	10 mm	0.4"
15.5-25-8PR (L2)	10 kg	22 lb	10 kg	22 lb	5 kg	11 lb	2180 mm	7'2"	390 mm	1'3"	-10 mm	-0.4"	10 mm	0.4"
17.5-25-12PR (L2)	150 kg	331 lb	110 kg	243 lb	95 kg	209 lb	2220 mm	7'3"	425 mm	1'5"	25 mm	1.0"	-25 mm	-1.0"
Install ROPS canopy (instead of cab)	-150 kg	-331 lb	-160 kg	-353 lb	-150 kg	-331 lb								
Additional counterweight	200 kg	441 lb	380 kg	838 lb	330 kg	728 lb								



STANDARD EQUIPMENT

- 2-spool valve for boom and bucket controls
- Air conditioner
- Alternator, 60 A
- Auto shift transmission with mode select system
- Back-up alarm
- Back-up lamp
- Batteries, 92 Ah/12 V x 2
- Bucket positioner
- Counterweight
- Directional signal
- Engine, Komatsu SAA4D95LE-5 diesel
- Engine shut-off system, electric
- Floor mat
- Fuel prefilter with water separator
- Hydraulic-driven fan with reverse rotation
- Lift cylinders and bucket cylinder
- Loader linkage with standard lift boom
- Main monitor panel with EMMS (Equipment Management Monitoring System)
- PPC fingertip control, mono lever
- Radiator mask, lattice type
- Rear defroster (electric)
- Rear view mirror
- Rear window washer and wiper
- ROPS/FOPS cab
- Seat, rigid type with reclining
- Seat belt
- Service brakes, wet disc type
- Starting motor, 5.5 kW/24 V
- Steering wheel, tiltable
- Sun visor
- Tires (16.9-24-10PR, L2 tubeless) and rims
- Transmission, 4 forward and 4 reverse



OPTIONAL EQUIPMENT

- 3-spool valve
- Additional counterweight
- AM/FM radio
- AM/FM stereo radio cassette
- Boom kick-out
- Bucket teeth (bolt-on type)
- Bucket teeth (tip type)
- Cutting edge (bolt-on type)
- Deluxe suspension seat
- ECSS (Electronically Controlled Suspension System)
- Emergency steering (SAE)
- Engine pre-cleaner with extension
- Fire extinguisher
- Front fenders
- High lift boom
- Limited slip differential (F&R)
- Rear full fender
- ROPS canopy
- Tool kit
- Vandalism protection kit

www.Komatsu.com

Printed in Japan 200902 IP.SIN (10)

KOMATSU®

CEN00370-00

Materials and specifications are subject to change without notice
KOMATSU is a trademark of Komatsu Ltd. Japan

HORSEPOWER

Gross: 74 kW 99 HP @ 2200 rpm

Net: 73 kW 98 HP @ 2200 rpm

BUCKET CAPACITY

1.3-1.7 m³ 1.7-2.2 yd³

KOMATSU®

WA150-6

ecot3

WA 150

WHEEL LOADER



Photo may include optional equipment.

WALK-AROUND

HORSEPOWER
 Gross: 74 kW 99 HP @ 2200 rpm
 Net: 73 kW 98 HP @ 2200 rpm

BUCKET CAPACITY
 1.3–1.7 m³ 1.7–2.2 yd³

High Productivity & Low Fuel Consumption

- High performance SAA4D95LE-5 engine
- Low fuel consumption
- Electronically-controlled HST with variable shift control system
- Variable traction control system
- S-mode (Anti-slip mode)

See pages 4 and 5.

Excellent Operator Environment

- HST traction control switch
- Electrically-controlled directional lever
- Tilttable steering column
- Low-noise designed cab
- Pillar-less large ROPS/FOPS cab-integrated
- Easy entry/exit, rear-hinged doors

See pages 8 and 9.

Increased Reliability

- Reliable Komatsu designed and manufactured components
- Sturdy main frame
- Maintenance-free, fully hydraulic, wet disc service and parking brakes
- Hydraulic hoses use flat face O-ring seals

- Cathion electrodeposition process is used to apply primer paint
 - Powder coating process is used to apply on main structure
 - Sealed DT connectors for electrical connections
- See page 6.



Photo may include optional equipment.

Harmony with Environment

- EPA Tier 3 and EU Stage 3A emissions certified
- Low exterior noise
- Low fuel consumption

See page 4.

Easy Maintenance

- “EMMS” (Equipment Management Monitoring System)
- Easy access, gull-wing type engine side doors

- Automatic Reversible Fan (option)

See page 7.

HIGH PRODUCTIVITY AND LOW FUEL CONSUMPTION



High Performance SAA4D95LE-5 Engine

Electronic Heavy Duty Common Rail fuel injection system provides optimum combustion of fuel. This system also provides fast throttle response to match the machine's powerful tractive effort and fast hydraulic response.

Net: 73 kW 98 HP

Low Emission Engine

This engine is EPA Tier 3 and EU Stage 3A emissions certified, without sacrificing power or machine productivity.

Low Fuel Consumption

The high-torque engine and Hydrostatic Transmission (HST) with maximum efficiency in the low-speed range provide low fuel consumption.

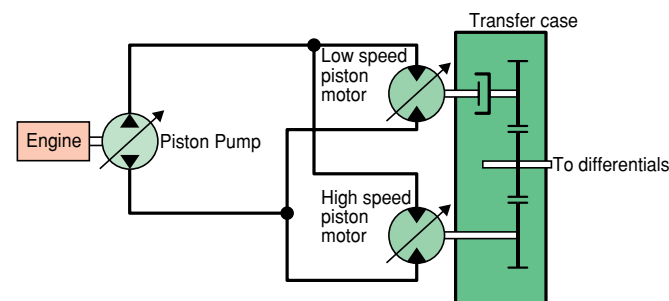
Eco Indicator

The eco indicator will help an operator to promote energy saving.



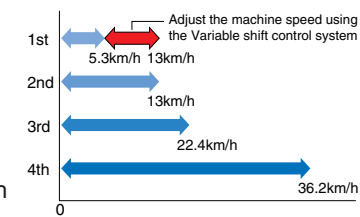
Electronically-controlled HST Using a 1-pump, 2-Motor System

- The 1-pump, 2-motor system allows for high-efficiency and high tractive effort. Engine power is transmitted hydraulically to a transfer case, then manually out to the differentials and out to the four driving wheels.
- HST provides quick travel response and aggressive drive into the pile. The variable displacement system automatically adjusts to the tractive effort demand to provide maximum power and efficiency.
- Full auto-shifting eliminates any gear shifting and kick-down operation to allow the operator to concentrate on digging and loading.
- When high drive torque is needed for digging, climbing or initiating movement, the pump feeds both motors. This combination makes the loader very aggressive and quick.
- Under deceleration, the HST system acts as a dynamic brake on the mechanical drive system. The dynamic brake can hold the loader in position on most workable slopes. This can be an advantage in stockpiling and ramp loading.
- As the machine moves and gains ground speed, the torque demand decreases and the low speed motor is effectively removed from the drive system by a clutch. At this point, the flow is going to the high-speed motor and the low-speed motor is not causing a drag on the system.
- An inching pedal gives the operator excellent simultaneous control of his travel and equipment hydraulic speeds. By depressing the inching pedal, drive pump flow to the motors will decrease, reducing ground speed and allowing the operator to use his accelerator to increase flow to his equipment hydraulics. Depressing the inching pedal further will activate the service brakes.

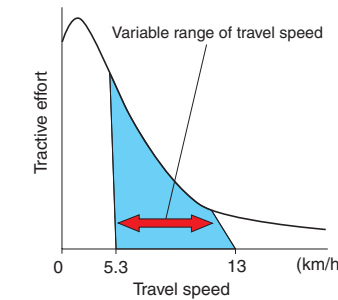


Electronically-controlled HST with Variable Shift Control System

The operator can choose between first, second, third or fourth maximum speeds by dialing the speed range selector switch. For V-cycle loading, the operator can set the speed control switch to 1 or 2, which provides aggressive digging, quick response and fast hydraulics. For load and carry, select 3 or 4 which still provides aggressive digging but with much faster travel speed.

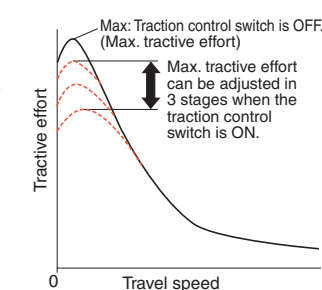


The variable shift switch allows the operator to adjust his machine speed in applications such as confined v-loading. When in 1, the operator can adjust travel speed using the variable shift switch to match machine speed and hydraulics to the distance travelled.



Variable Traction Control System

The tractive effort of the machine, when traveling at a low speed, can be reduced by using the traction control switch. Combined with the function of torque proportioning differentials, this system exerts the following effects.

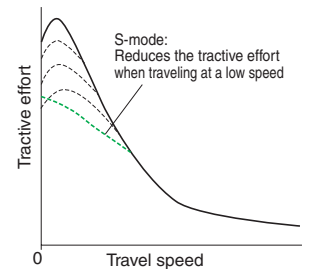


- Facilitates operation on soft ground where the tires of the machine are apt to slip.
- Eliminates excessive bucket penetration and reduces tire slippage during stockpile loading to improve the work efficiency.
- Reduces tire slippage to extend the life of tires.

Furthermore, the maximum tractive effort can be adjusted in three stages (one stage for conventional machines) when the traction control switch is ON. This allows the operator to select the optimum tractive effort for diversified road conditions.

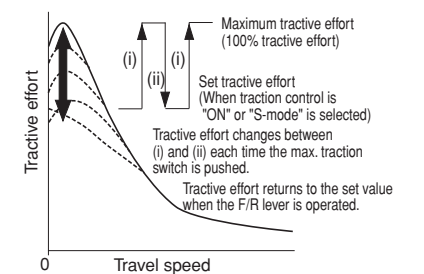
S-mode (Anti-slip mode)

Setting the switch to S-mode allows the machine to get the optimum driving force for operations on slippery road surfaces, like snow-removal on snow surface, resulting in reduced tire slippage and facilitation of the operation. Unexpected tire slippage on slippery road surface is suppressed by controlling the engine speed and HST motor when traveling at a low speed. (S-mode is effective only in forward traveling.)



Max. Traction Switch

Max. traction switch is located on the work equipment control lever. When traction control switch is at ON position or S-mode is selected, pushing this switch cancels the setting of the traction control temporarily and increases the tractive effort to its 100 % value. Then pushing the max. traction switch again or operating the F/R lever returns the tractive effort to the set value automatically. This switch is useful for operations such as piling up work where large tractive effort is required temporarily.



Accelerator Pedal Sensitive HST Control

Finely-tuned HST control according to the accelerator pedal angle reduces shocks and allows smoother traveling and better energy-saving operation.



Maximum Dumping Clearance and Reach

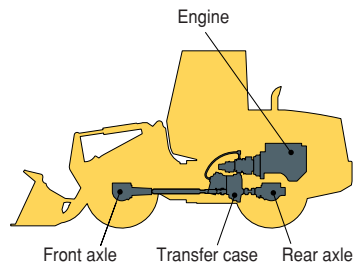
The long lift arms provide high dumping clearances and maximum dumping reach. The operator can even level loads on the body of a dump truck easily and efficiently.

Dumping Clearance: 2705 mm 8'10"
Dumping Reach: 970 mm 3'2"
 (1.5 m³ 2.0 yd³ bucket with B.O.C.)

INCREASED RELIABILITY

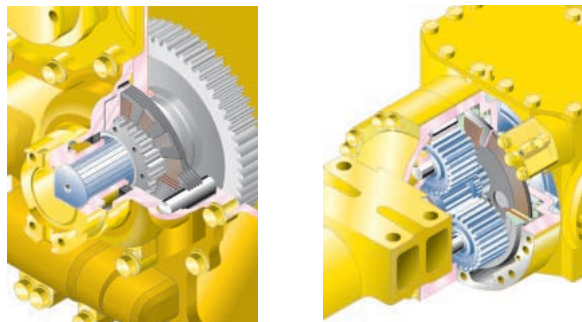
Komatsu Components

Komatsu manufactures the engine, transfer case, axles and hydraulic components on this wheel loader. Komatsu loaders are manufactured with an integrated production system under a strict quality control system.



Wet multi-disc brakes and fully hydraulic braking system

mean lower maintenance costs and higher reliability. Wet disc brakes are fully sealed. Contaminants are kept out, reducing wear and resulting maintenance. Brakes require no adjustments for wear, meaning even lower maintenance. The parking brake is also an adjustment-free, wet multi-disc for high reliability and long life. Added reliability is designed into the braking system by the use of two independent hydraulic circuits, providing hydraulic backup should one of the circuits fail. Fully hydraulic brakes mean no air system to bleed, and no condensation of water in the system that can lead to contamination, corrosion, and freezing.



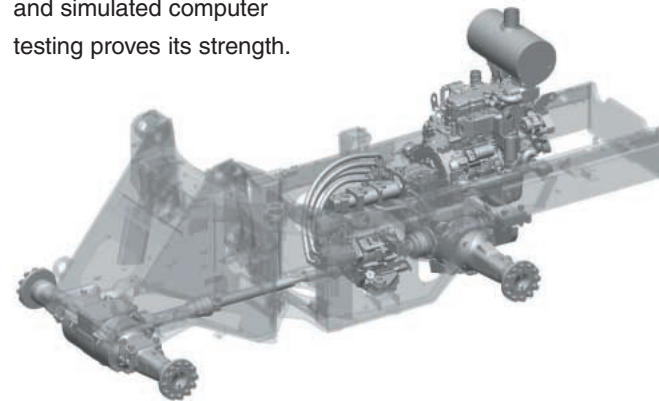
Overrun Prevention System

When the machine descends a slope, maximum travel speed is automatically restricted, for protection against damage of power train components and brakes by sensing the travel speed and controlling the discharge amount of the HST pump and motor. When the machine descends a steep slope and the travel speed reaches 38 km/h 23.6 MPH, the caution lamp lights up to inform the operator to reduce the travel speed.

Note: When the machine descends a steep slope, the use of the service brake is necessary to limit travel speed.

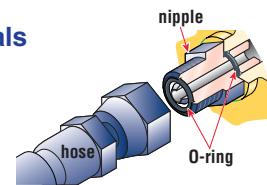
High-rigidity Frames and Loader Linkage

The front and rear frames and the loader linkage have got more torsional rigidity to provide resistance increased to stresses. Frame and loader linkage are designed to accommodate actual working loads, and simulated computer testing proves its strength.



Flat Face-to-face O-ring Seals

Flat face-to-face O-ring seals are used to securely seal hydraulic hose connections.



Cathion Electrodeposition Primer Paint/ Powder Coating Final Paint

Cathion electrodeposition paint is applied as a primer paint and powder coating is applied as topcoat to the exterior metal sheet parts. Some external parts are made of plastic providing long life and high impact resistance.

Sealed DT Connectors

Main harnesses and controller connectors are equipped with sealed DT connectors providing high reliability, water resistance and dust resistance.



EASY MAINTENANCE



Photo may include optional equipment.

EMMS (Equipment Management Monitoring System)

Monitor is mounted in front of the operator for easy view, allowing the operator to easily check gauges and warning lights.



A specially designed two-spoke steering wheel allows the operator to easily see the instrument panel.

Maintenance Control and Troubleshooting Functions

- **Action code display function:** If an abnormality occurs, the monitor displays action details on the character display at the center bottom of the monitor.
- **Monitor function:** Controller monitors engine oil pressure, coolant temperature, air cleaner clogging, etc. If the controller finds abnormalities, the error is displayed on the LCD.
- **Replacement time notice function:** Monitor informs replacement time of oil and filters on the LCD when replacement intervals are reached.
- **Trouble data memory function:** Monitor stores abnormalities for effective troubleshooting.

Gull-wing Type Engine Side Doors Open Wide

The operator can open and close each gull-wing type engine side door easily with the assistance of a gas spring to perform daily service checks from the ground.

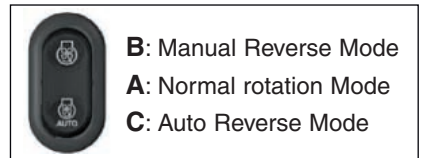


Ease of Radiator Cleaning

If the machine is operating in adverse conditions, the operator can reverse the hydraulic cooling fan from inside the cab by turning on a switch on the control panel.

Automatic Reversible Fan (option)

The engine fan is driven hydraulically. It can be operated in reverse automatically. When switch is automatic position. The fan revolves in reverse for 2 minutes every 2 hours intermittently. (Default setting)



OPERATOR ENVIRONMENT

Easy Operation

Electronically Controlled Directional Lever

The operator can change direction with a touch of his fingers without removing his hand from the steering wheel. Solid state electronics makes this possible.



Tiltable Steering Column

The operator can tilt the steering column to provide a comfortable working position.



Easy-to-operate Loader Control Mono-lever

A new mono-lever using PPC (Proportional Pressure Control) allows the operator to easily operate the work equipment, to reduce operator fatigue and to increase controllability. The adjustable wrist rest provides the operator with a variety of comfortable operating positions.



Right-side Control Panel

The operator can select the speed range, maximum travel speed in 1st, tractive effort.



1:Speed range selector switch 2:Variable shift switch
3:Traction control switch 4:Max. traction switch
5:Fan reverse switch

Comfortable Operation

Low-noise Design

Noise at operator's ear noise level : 72 dB(A)
Dynamic noise level (outside): 104 dB(A)

The large cab is mounted with Komatsu's unique ROPS/FOPS viscous mounts. The low-noise engine, hydraulically driven fan, and hydraulic pumps are mounted with rubber cushions, and the cab sealing is improved to provide a quiet, low-vibration, pressurized, and comfortable operating environment.

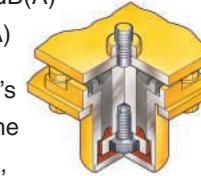


Photo may include optional equipment.

Pillar-less Large Cab

A wide pillar-less flat glass provides excellent front visibility. The wiper arm covers a large area to provide great visibility even on rainy days. The large cab area



provides maximum space for the operator. The front mounted air conditioner was introduced to increase seat reclining and backward slide adjustment.

Rear-hinged Full Open Cab Doors

Entry and exit into the new komatsu cab starts with sloped staircase type steps and large diameter handrails for added comfort. The large cab doors are rear-hinged to open fully offering easy entry/exit and will not hamper visibility when operating the machine with the doors latched open.



SPECIFICATIONS



ENGINE

ModelKomatsu SAA4D95LE-5
 TypeWater-cooled, 4-cycle
 AspirationTurbocharged, aftercooled
 Number of cylinders4
 Bore x stroke95 mm x 115 mm 3.74" x 4.53"
 Piston displacement3.26 ltr 199 in³
 GovernorAll-speed, electronic
 Horsepower
 SAE J1995Gross **74 kW** 99 HP
 ISO 9249/SAE J1349*Net **73 kW** 98 HP
 Rated rpm2200 rpm
 Fan drive method for radiator coolingHydraulic
 Fuel systemDirect injection
 Lubrication system:
 MethodGear pump, force-lubrication
 FilterFull-flow type
 Air cleanerDry type with double elements and dust evacuator, plus dust indicator

*Net horsepower at the maximum speed of radiator cooling fan is 71 kW 95 HP.

EPA Tier 3 and EU Stage 3A emissions certified



TRANSMISSION

Transmission:
 TypeHydrostatic, 1 pump, 2 motors with speed range select
 Travel speed: **km/h** mph
 Measured with 16.9-24 tires

	1st	2nd	3rd	4th
Both Forward and Reverse	5.3 - 13.0	13.0	22.4	36.2
	3.3 - 8.1	8.1	13.9	22.5

Measured with 17.5-25 tires

	1st	2nd	3rd	4th
Both Forward and Reverse	5.5 - 13.6	13.6	23.5	38.0
	3.4 - 8.5	8.5	14.6	23.6



AXLES AND FINAL DRIVES

Drive systemFour-wheel drive
 FrontFixed, semi-floating
 RearCenter-pin support, semi-floating, 16° total oscillation
 Reduction gearSpiral bevel gear
 Differential gearTorque proportioning
 Final reduction gearPlanetary gear, single reduction



BRAKES

Service brakesHydraulically actuated, wet disc brakes actuate on four wheels
 Parking brakeWet, multi-disc brake on transfer output shaft
 Emergency brakeParking brake is commonly used



STEERING SYSTEM

TypeFull-hydraulic power steering
 Steering angle38° each direction (40° end stop)
 Minimum turning radius at the center of outside tire4675 mm 15'4"



HYDRAULIC SYSTEM

Loader and steering pump:
 Capacity108 ltr/min 28.5 U.S. gal/min at rated rpm
 Steering system:
 Hydraulic pumpGear type pump
 Relief valve setting18.6 MPa 190 kgf/cm² 2,700 psi
 Hydraulic cylinders:
 TypeDouble-acting, piston type
 Number of cylinders2
 Bore x stroke55 mm x 375 mm 2.2" x 14.8"

Loader control:
 Hydraulic pumpGear type pump
 Relief valve setting20.6 MPa 210 kgf/cm² 3,000 psi
 Hydraulic cylinders:
 TypeDouble-acting, piston type
 Number of cylinders—bore x stroke:
 Boom cylinder2- 110 mm x 628 mm 4.3" x 24.7"
 Bucket cylinder1- 110 mm x 452 mm 4.3" x 17.8"
 Control valve2-spool type
 Control positions:
 BoomRaise, hold, lower, and float
 BucketTilt-back, hold, and dump
 Hydraulic cycle time (rated load in bucket)
 Raise6.0 sec
 Dump1.1 sec
 Lower (Empty)3.6 sec

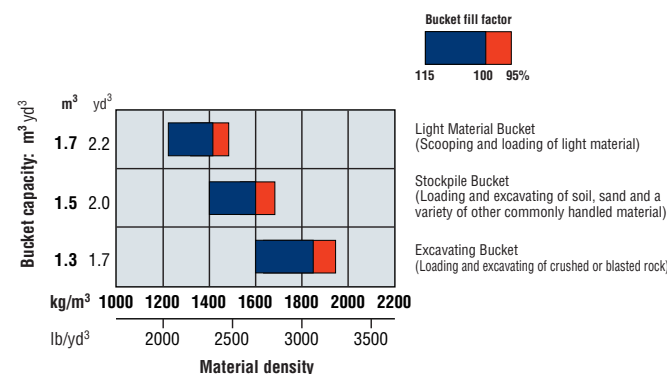


SERVICE REFILL CAPACITIES

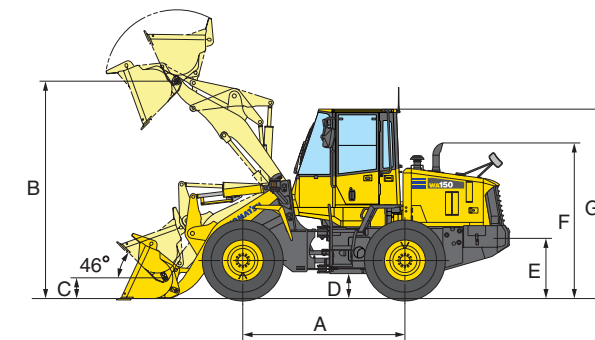
Cooling system14.6 ltr 3.9 U.S. gal
 Fuel tank133.0 ltr 35.1 U.S. gal
 Engine11.5 ltr 3.0 U.S. gal
 Hydraulic system47.0 ltr 12.4 U.S. gal
 Front axle14.0 ltr 3.7 U.S. gal
 Rear axle14.5 ltr 3.8 U.S. gal
 Torque converter and transmission3.9 ltr 1.0 U.S. gal



BUCKET SELECTION GUIDE



DIMENSIONS



	16.9-24 tires		15.5-25 tires		17.5-25 tires	
Tread	1780 mm	5'10"	1780 mm	5'10"	1780 mm	5'10"
Width over tires	2250 mm	7'5"	2180 mm	7'2"	2220 mm	7'3"
A Wheelbase	2600 mm	8'6"	2600 mm	8'6"	2600 mm	8'6"
B Hinge pin height, max. height	3485 mm	11'5"	3475 mm	11'5"	3510 mm	11'6"
C Hinge pin height, carry position	360 mm	1'2"	360 mm	1'2"	355 mm	1'2"
D Ground clearance	400 mm	1'4"	390 mm	1'3"	425 mm	1'5"
E Hitch height	800 mm	2'7"	790 mm	2'7"	825 mm	2'8"
F Overall height, top of the stack	2495 mm	8'2"	2485 mm	8'2"	2520 mm	8'3"
G Overall height, ROPS cab	3035 mm	9'11"	3025 mm	9'11"	3060 mm	10'0"

Measured with 16.9-24-10PR (L2) tires, ROPS/FOPS cab

	Stockpile Bucket		Excavating Bucket		Light Material Bucket
	Bolt-On Cutting Edges	Teeth	Bolt-On Cutting Edges	Teeth	Bolt-On Cutting Edges
Bucket capacity: heaped	1.5 m ³ 2.0 yd ³	1.4 m ³ 1.8 yd ³	1.3 m ³ 1.7 yd ³	1.2 m ³ 1.6 yd ³	1.7 m ³ 2.2 yd ³
struck	1.25 m ³ 1.6 yd ³	1.2 m ³ 1.6 yd ³	1.1 m ³ 1.4 yd ³	1.05 m ³ 1.4 yd ³	1.5 m ³ 2.0 yd ³
Bucket width	2390 mm 7'10"	2390 mm 7'10"	2390 mm 7'10"	2390 mm 7'10"	2390 mm 7'10"
Bucket weight	595 kg 1,310 lb	540 kg 1,190 lb	580 kg 1,280 lb	525 kg 1,160 lb	665 kg 1,470 lb
Dumping clearance, max. height and 45° dump angle*	2705 mm 8'10"	2645 mm 8'8"	2745 mm 9'0"	2685 mm 8'10"	2630 mm 8'8"
Reach at max. height and 45° dump angle*	970 mm 3'2"	1020 mm 3'4"	930 mm 3'1"	980 mm 3'3"	1045 mm 3'5"
Reach at 2130 mm (7') clearance and 45° dump angle*	1385 mm 4'7"	1405 mm 4'7"	1365 mm 4'6"	1385 mm 4'7"	1420 mm 4'8"
Reach with arm horizontal and bucket level*	2055 mm 6'9"	2130 mm 7'0"	1995 mm 6'6"	2070 mm 6'9"	2160 mm 7'1"
Operating height (fully raised)	4630 mm 15'2"	4630 mm 15'2"	4560 mm 15'0"	4560 mm 15'0"	4710 mm 15'5"
Overall length	6310 mm 20'8"	6385 mm 20'11"	6250 mm 20'6"	6325 mm 20'9"	6415 mm 21'1"
Loader clearance circle (bucket at carry, outside corner of bucket)	10755 mm 35'3"	10800 mm 35'5"	10725 mm 35'2"	10770 mm 35'4"	10810 mm 35'6"
Digging depth: 0°	90 mm 3.5"	100 mm 3.9"	90 mm 3.5"	100 mm 3.9"	90 mm 3.5"
10°	255 mm 10.0"	275 mm 10.8"	245 mm 9.6"	265 mm 10.4"	270 mm 10.6"
Static tipping load: straight	6635 kg 14,630 lb	6690 kg 14,750 lb	6675 kg 14,720 lb	6730 kg 14,840 lb	6540 kg 14,420 lb
38° full turn	5775 kg 12,730 lb	5825 kg 12,840 lb	5810 kg 12,810 lb	5860 kg 12,920 lb	5695 kg 12,560 lb
Breakout force	72.6 kN 7400 kgf 16,310 lb	66.5 kN 6780 kgf 14,950 lb	78.6 kN 8010 kgf 17,660 lb	71.5 kN 7290 kgf 16,070 lb	64.0 kN 6530 kgf 14,400 lb
Operating weight	7700 kg 16,980 lb	7645 kg 16,850 lb	7685 kg 16,940 lb	7630 kg 16,820 lb	7770 kg 17,130 lb

* At the end of B.O.C.

All dimensions, weights, and performance values based on SAE J732c and J742b standards.

Static tipping load and operating weight shown include lubricant, coolant, full fuel tank, ROPS cab, and operator. Machine stability and operating weight affected by counterweight, tire size, and other attachments.

Apply the following weight changes to operating weight and static tipping load.