



**X 500 RM  
X 500 RM X4**

**X 1100 RH**



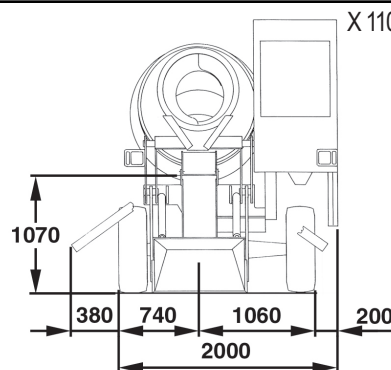
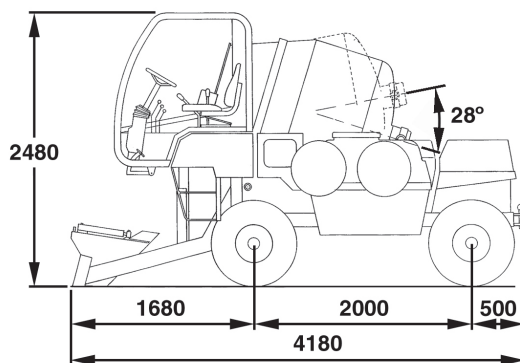
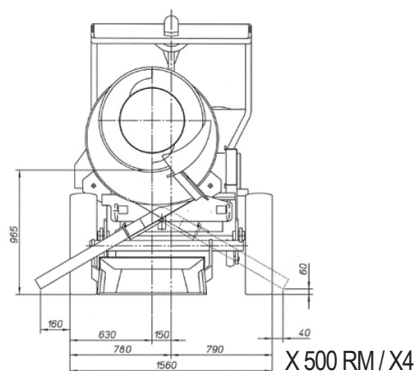
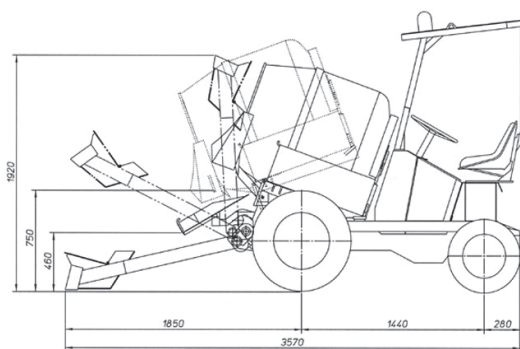
**AUSA Center, S.L.**  
Ctra. de Vic Km 2.8  
08243 Manresa  
BARCELONA (ESPAÑA)  
Tel.: +34 93 874 73 11  
E-mail: [ausa@ausa.com](mailto:ausa@ausa.com)  
[www.ausa.com](http://www.ausa.com)

**AUSA Madrid** Pol. Ind. Coslada - C. Marconi 15-17, 28823 Coslada - MADRID (ESPAÑA) - Tel.: +34 91 669 00 06 - E-mail: [ausa.madrid@ausa.com](mailto:ausa.madrid@ausa.com)  
**AUSA France** Z.I. Saint Charles - Rue de Zürich, 66000 PERPIGNAN (FRANCE) - Tel.: +33 (0) 4 68 54 38 97 - E-mail: [ausa.france@ausa.com](mailto:ausa.france@ausa.com)  
**AUSA Deutschland** Tel.: +49 (0) 2384 9889905 - E-mail: [ausa.deutschland@ausa.com](mailto:ausa.deutschland@ausa.com)  
**AUSA UK** Tel.: +44 (0) 7970639988 - E-mail: [ausa.uk@ausa.com](mailto:ausa.uk@ausa.com)  
**AUSA Brasil** Avenida Belizario Ramos 2276 - Lages - SC, 88506-000 (BRASIL) - Tel.: +55 11 9 8786 6014 - E-mail: [ausa.brasil@ausa.com](mailto:ausa.brasil@ausa.com)  
**AUSAMéxico** Calzada Vallejo 725 Del. Gustavo A. Madero - 07750 México D.F. (MÉXICO) - Tel.: +52 (55) 21669276 - E-mail: [ausa.mexico@ausa.com](mailto:ausa.mexico@ausa.com)  
**AUSA U.S. CORP.** Tel.: +1 (917) 328 0770 - E-mail: [ausa.us@ausa.com](mailto:ausa.us@ausa.com)  
**AUSA Beijing Rep. Office** Room 403, Moma Building, N.199 - Chaoyang bei road, Chaoyang District - 100026 BEIJING (CHINA)  
Tel.: +86 10 8598 7386 - E-mail: [ausa.china@ausa.com](mailto:ausa.china@ausa.com)



**X 500 RM\_500 I**  
**X 500 RM x4\_500 I**  
**X 1100 RH\_1100 I**

**AUSA**  
www.ausa.com



### TECHNICAL SPECIFICATIONS

		X 500 RM / x4	X 1100 RH
<b>Mixing capacity (l)</b>		500	1100
<b>Drum</b>	Loading system	Self-loading arms. Rigid 60 litre bucket, with gravity opening to optimise dosing.	Self-loading arms. Rigid 150 l bucket, with hydraulic opening to optimise dosing.
	Discharge system	By counter-rotation and elevation, through a chute with a discharge arc of 190° and a reach of 790 mm.	By counter-rotation and elevation, at a height of 1070 mm by means of fixed gutter of quick positioning, regulable and with a reach of 1.1m, within a 170° arc rotation.
<b>Engine</b>	Diesel	HATZ Supra Diesel	ISUZU 4LE2 Tier II
	Power / (KW/CV)	11,3 / 15,35 ( DIN 70020 )	38 / 51.7 (SAE J 1995)
	N. of cylinders	1	4
	Cooling	Air	Liquid
<b>Traction</b>		4x2 / 4x4 front axle	4 x 4
<b>Transmission</b>		Mechanical 4 forward gears and 4 reverse gears. Rigid front drive axle and oscillating rear drive steering.	2-speed hydrostatic. Electric gear inverter. Rigid front drive axle and oscillating rear steering.
<b>Unladen weight (Kg)</b>		1500	2600
<b>Gradeability (full load)</b>		25%	32%
<b>Max. speed (Km/h)</b>		22	20
<b>Starting</b>		Electric	Electric
<b>Tyres</b>		7.50-16(8 PR) front / 145 R-13 (LS) rear	10.0/75-15,3 (14 PR)
<b>Steering</b>		Hydraulic. Working pressure: 60 bar.	Hydraulic. Working pressure 70 bar.
<b>External turning radius (mm)</b>		3470	4665
<b>Tank capacities (l)</b>	Combustible	13,5	40
	Hidráulico	16,5	100
	Água	-	400
<b>Service brake</b>		Hydraulic front axle assembly	Hydraulic, drum-type, on front driving pinion. Hydraulically actoned
<b>Parking brake</b>		Mechanical on front axle assembly	Mechanical drum brake on the front axle itself.
<b>Hydraulic circuit</b>		8 cc gear pump. Working pressure 120 bar.	10.6 and 8 cc gear pump Working pressure 160 bar
<b>Water circuit</b>		-	Suction-impeller pump with a circuit for loading directly from a tank or external outlet. Hose system for cleaning the drum. Counter-liters.
<b>Operator's placement</b>		-	Advanced operator position within 180° visibility for loading, unloading and mix control.
<b>STANDARD EQUIPMENT</b>		Lockable engine compartment	Semiclosed cabin with frontal, lateral and rear windscreen
			Windscreen wiper
			Ergonomic seat & safety belt
			Rotating beacon
			Left and right rear view mirrors
			Antivandalic system
<b>OPTIONAL EQUIPMENT</b>		ROPS/FOPS protective roof with rotating lamp	Homologated lighting system
		Front windscreen with windscreen wiper	
		1047 l hopper with 60 l self-loading bucket.	
		Electrical lighting equipment	
		Rear tyres:	
		155 SR 13 (LS), 5.00 - 12 (4x4) (TT) 4PR 6.5/80-12 (4x4)(TT), 4PR	