

CARMIX 25 FX



MIXING UNIT: Drum capacity 3.450 liters. Concrete output: 2,5 m3 per batch. EN 206-1 SLUMP S1 class, yield no vibrated. Double mixing screws, cover for emergency unloading. Mixing and discharging speed independent from r.p.m. of diesel engine. Discharging by reversing drum.



ENGINE: Perkins 1104D-44T Turbo-Diesel, water-cooled, 4 cylinders. Power KW 62,5 (84 HP) set at 2200 rpm.



TRANSMISSION: Hydrostatic Bosch-Rexroth. Heavy duty differential axles with planetary reducers. Front axle swinging and steering. Rear axle fixed.



AXLES: Dana Spicer with oil bath disc brakes and planetary reducers.



SPEED: Working speed from 0 to 10 km/h, road transfer from 0 to 24 km/h. Electric servo control.



DRIVING SEAT: ROPS-FOPS canopy. Reversible seat with automatic inversion of hydraulic steering circuit.



HYDRAULIC SYSTEM: 3 independent circuits. 2 variable outlet pumps for hydrostatic transmission and drum rotation. 1 pump for services. Inlet and outlet filter. Heat exchanger water/oil-air type.



LOADING SHOVEL: Effective capacity per load 400 liters, complete with hydraulic opening gate.



CHUTE: Slewing and hydraulically tilting.



WATER SYSTEM: Self-contained. Hydraulic driven water pump, water meter, washing outlet.



GRADIENT: Fully loaded 30%.



BRAKES: Oil bath disc brakes inside differential axles. Twin independent circuits. Negative hydraulic parking brake.



TYRES: Off road industrial type 12.5-20 PR 12.



STEERING: Hydrostatic "load sensing". Radius: internal mm. 2550, external mm. 5100.



ELECTRIC SYSTEM: 12 Volt. 120 Ah battery for electric starter and road lighting. Safety battery cut-off.



TANKS: Water: 2 x 275 liters. Diesel: 100 liters. Hydraulic oil: 70 liters.



CHASSIS: Steel profile specially engineered for off-road operations.



WEIGHT: In running order Kg. 5300 equally distributed on both axles.

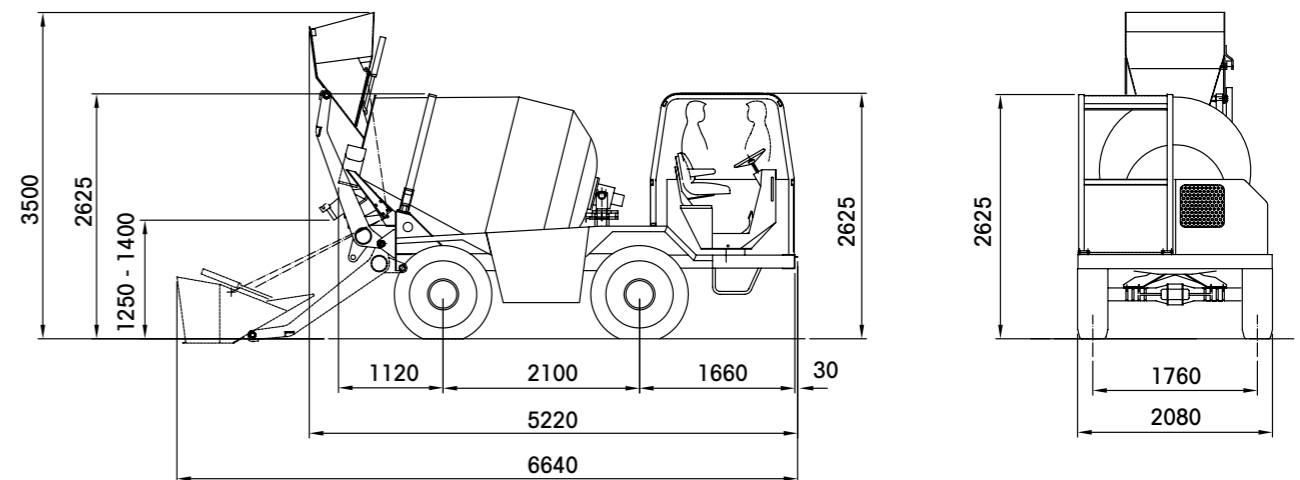


SAFETY: Machine equipped with checking and block valves for maximum safety of the operator.



CATALOGUE: The machine is equipped with Use and Maintenance and Spare Parts Manuals according to CE regulations.

CARMIX
4x4 mixers & dumpers



METALGALANTE s.p.a.

follow us on:



#BeACarmixMan

carmix.com