

CARMIX ONE



MIXING UNIT: Drum capacity 1400 liters. Concrete drum output: 1 m³/IN. EN 206-1 IN SLUMP S1 Class, yield not vibrated. Double mixing screws. Cover for emergency unloading. Drum rotation by hydraulic motor and planetary reducers. Mixing and discharging speed independent from r.p.m. of diesel engine. Quick discharge by drum tilting.



ENGINE: Perkins 403 D-15T Turbo-Diesel, water-cooled, 3 cylinders. Power KW 29 (39 HP) set at 2.800 rpm. Electric starter.



TRANSMISSION: Hydrostatic. A variable outlet pump drives the hydraulic two speed motor connected to the differential through the two speed reducers. 4 wheel drive.



AXLES: Dana Spicer with oil bath disc brakes and planetary reducers.



SPEED: Working speed from 0 to 7 km/h, road transfer from 0 to 14 km/h. Electric servo control.



DRIVING SEAT: Reversible seat with automatic inversion of hydraulic steering circuit. ROPS-FOPS Canopy.



HYDRAULIC SYSTEM: 3 circuits. Variable outlet pumps for hydrostatic transmission and drum rotation. Gear pumps for services and steering. Heat exchanger type water/oil-air.



LOADING SHOVEL: Effective capacity 180 liters.



CHUTE: Slewing and manually tilting.



WATER SYSTEM: Self-contained. Hydraulic driven water pump, water meter, washing outlet.



GRADIENT: Fully loaded 30%.



BRAKES: Disc brakes. Twin independent circuits for parking and emergency. Mechanical parking brake acting on rear axle.



TYRES: Off road industrial type 11,5/80 - 15,3 PR 10



STEERING: Hydrostatic and articulated. Radius: internal mm. 2700, external mm. 4600.



ELECTRIC SYSTEM: 12 Volt. 80 Ah battery for electric starter and road lighting. Safety battery cut-off.



TANKS: Water: 310 liters. Diesel: 35 liters. Hydraulic oil: 25 liters.



CHASSIS: Articulated steel profile specially engineered for off-road operations.

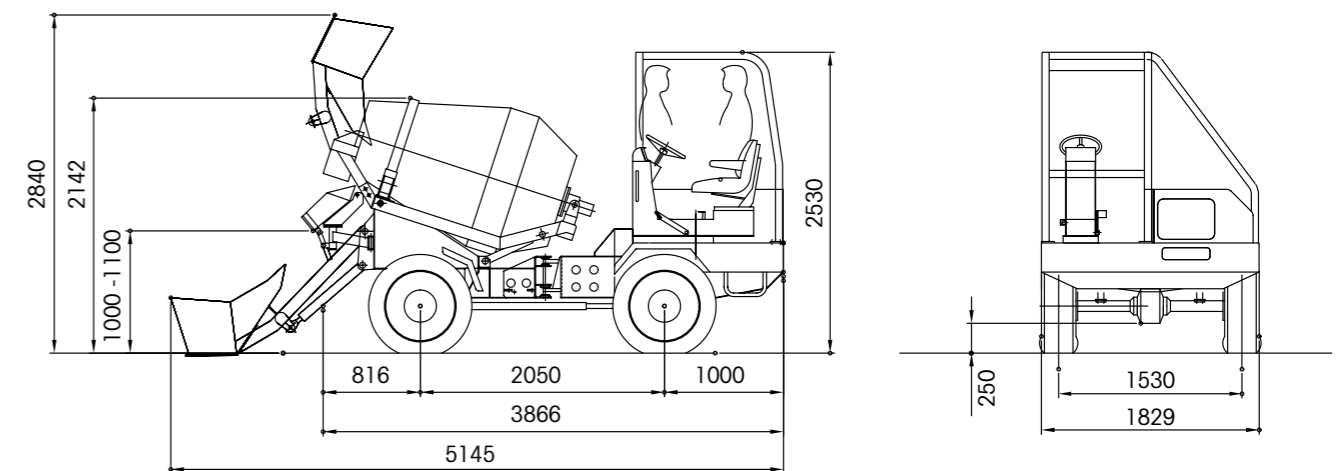


WEIGHT: About Kg. 2.800 equally distributed on both axles.



CATALOGUE: The machine is equipped with Use and Maintenance and Spare Parts Manuals according to CE regulations.

CARMIX
4x4 mixers & dumpers



METALGALANTE s.p.a.

follow us on:



#BeACarmixMan

carmix.com